



Reliseal

Installation instructions
Montageanleitung
Notice de montage
Manual de instrucciones
de montaje
Manual de montagem
Istruzioni di montaggio


Montagehandleiding
Monteringsvejledning
Monteringsanvisning
Monteringsanvisning
Asennusohje
Instrukcja montażu

Návod k montáži
Szerelési útmutató
Navodila za montažo
Instrucțiuni de montaj
Montaj Talimatı

Installation Instructions

Table of contents

1	Installer information	4
1.1	Field of application	4
1.2	Used labels and symbols	4
1.3	Safekeeping of documents and actuality	4
1.4	Intended use	4
1.5	EC conformity	4
1.6	Applicable documents	4
1.7	Customer service and spare parts	4
2	Safety instructions	5
2.1	Representation and layout of warning instructions	5
2.2	Danger grading of warning instructions	5
2.3	Basic safety instructions	5
2.4	Limitations of use	5
2.5	User obligations	5
3	Transport and storage	5
4	Structure	5
5	Installation	6
5.1	Installing the Reliseal V 56	6
5.2	Installing the Reliseal V 510	8
5.3	Installing the Reliseal V 525	9
6	Maintenance	11
7	Taking out of operation	11
8	Disposal	11
9	Technical data	11

 The original installation instructions are written in German. The translations are based on these original installation instructions.

- GB
- DE
- FR
- ES
- PT
- IT
- NL
- DK
- NO
- SE
- FI
- PL
- CZ
- HU
- SI
- RO
- TR

1 Installer information

Before the product is used for the first time, all persons who will be using the product must have carefully read and understood the installation instructions.

This documentation as well as translations hereof are the property of the HellermannTyton Group. Replication, editing, reproducing or distribution in whole or in parts for purposes other than following the original intended use requires the prior written consent from the HellermannTyton Group.

1.1 Field of application

The installation instructions are directed towards technicians and the user. The installation instructions only apply for the products in the Reliseal series, called "product" in the following:

TYPE	Article-No.
Reliseal V 56	435-01660
Reliseal V 510	435-01661
Reliseal V 525	435-01662


1.2 Used labels and symbols

In these installation instructions, different labels and symbols are used in the text. These are explained in the following:

- Symbol for an enumeration
- ▶ Symbol for an instruction
- 1 First step
- 2 Following steps
- ☑ Outcome

Display text/screen text

→ Cross reference

 Texts with this symbol contain information on environmental protection.

 Texts with this symbol contain additional information.

1.3 Safekeeping of documents and actuality

- ▶ Keep these installation instructions as well as all other supplied documents in a safe place, so that they are available at any time.
- ▶ Please note:
Due to the continuous development of the products, there may be deviations between the documentation and the product. The current edition can be found at <http://www.hellermanntyton.com/site/downloads>.

1.4 Intended use

The product is only intended to establish underground and above-ground cable connections.

The product may only be installed by trained specialised personnel according to the data sheet. The specifications contained in these installation instructions are based on our current state of research and development.

Because of the diversity of workmanship and use possibilities, the user must check the suitability of the product for the intended purpose.

The product may only be used for the purposes described in these installation instructions.

The product may only be used in technically perfect condition in accordance with its intended use and the installation instructions, and only by competent persons who are fully aware of the risks involved.

1.5 EC conformity

The product fulfills the requirements in accordance with:

- Degrees of protection provided by enclosures DIN EN 60529 (corresponds to VDE 0470-1)
- Test methods and requirements for cable-accessories for use on distribution cables of rated voltage 0,6/1,0 (1,2) kV
DIN EN 50393 (corresponds to VDE 0278-393)
- Glow-wire flammability test method for end-products
DIN EN 60695-2-11 (corresponds to VDE 0471-2-11)

1.6 Applicable documents

The nonverbal installation instructions must be observed for every product.

1.7 Customer service and spare parts

If you have any questions or suggestions, please contact HellermannTyton. The contact data is listed at the end of this documentation.

2 Safety instructions

The product was manufactured according to the current state of technology and the recognised safety regulations. Nonetheless, use of the product can result in hazards to the life and limb of the user or third persons, or in damage to the device and other material property.

These installation instructions contain information on safety.

- ▶ Always follow all of the instructions to prevent personal injury, material damage or environmental damage.

2.1 Representation and layout of warning instructions

The warning instructions relate to actions and are structured as follows:

⚠ DANGER
Type and source of danger!
Explanations on the type and source of danger.
▶ Precautions to prevent danger.

2.2 Danger grading of warning instructions

The warning instructions are graded according to the severity of their danger. In the following, the danger grading is explained with the corresponding signal words and warning symbols.

⚠ DANGER
Immediate risk of lethal or serious injuries.

⚠ WARNING
Possible risk of lethal or serious injuries.

⚠ CAUTION
Possible slight injuries.

NOTE
Damage to the product or the surroundings.

2.3 Basic safety instructions

The following safety instructions apply generally when handling the product.

Danger of electric shock

A faulty or incorrectly installed power supply line can lead to lethal injuries.

- ▶ Observe the voltage class:
250 V, 6 - 16 A or 450 V, 25 A.

2.4 Limitations of use

- ▶ Observe the following requirements for the operational environment:
 - The product may only be used between -20 °C and +90 °C.

2.5 User obligations

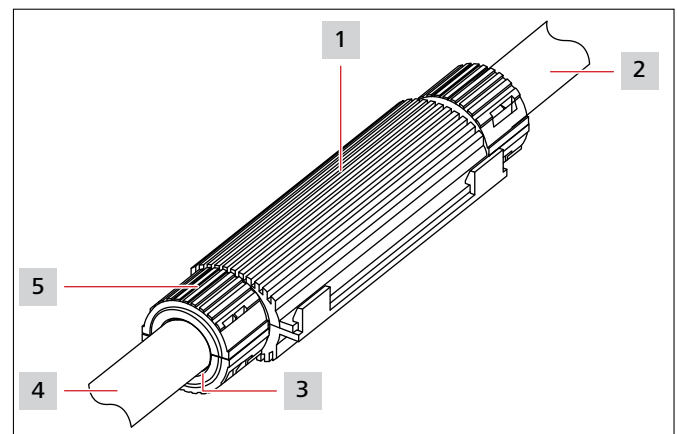
The installer must observe and comply with the respectively applicable national legal regulations and accident prevention regulations.

3 Transport and storage

The product must be protected from humidity, direct sunlight and extreme heat. Do not stack heavy objects on the packaged product. The product has an unlimited shelf life.

4 Structure

The figure shows the structure of the product based on the example of the V 56.



Structure.

- 1 Cable joint
- 2 Main cable 1
- 3 Adapter seal
- 4 Main cable 2
- 5 Cable gland nuts

GB

DE

FR

ES

PT

IT

NL

DK

NO

SE

FI

PL

CZ

HU

SI

RO

TR

5 Installation

⚠ DANGER

Danger of lethal electric shock!

There is a risk of lethal injury when touching live cables.

- ▶ Disconnect the cable from the power supply before installing the product.
- ▶ Only connect the product to a properly installed and standardised cable.
- ▶ Check the voltage-level and current requirements.

The following tools are required for the installation of the product:

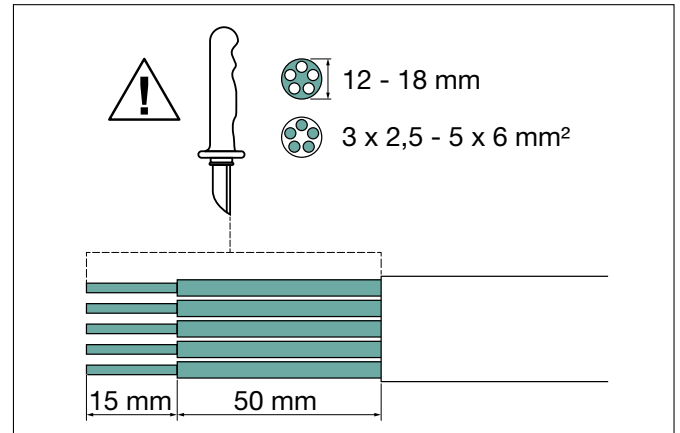
- Cable knife or stripping plier
- Crimping plier

i If transport damage has been found or if the scope of delivery was incomplete, please contact Customer Service at HellermannTyton.

5.1 Installing the Reliseal V 56

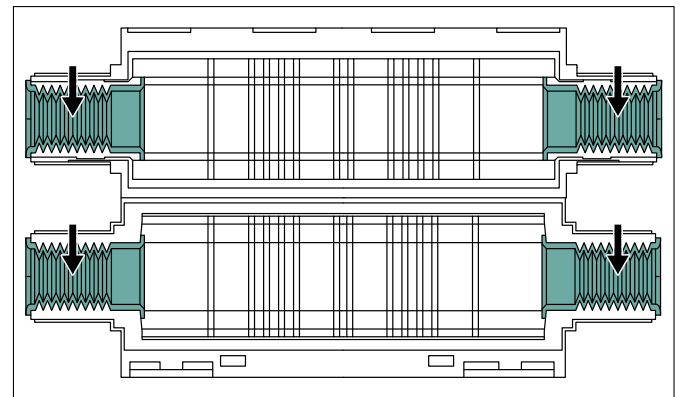
Proceed as follows:

- 1 Strip the cable as shown in the figure and align the cores.



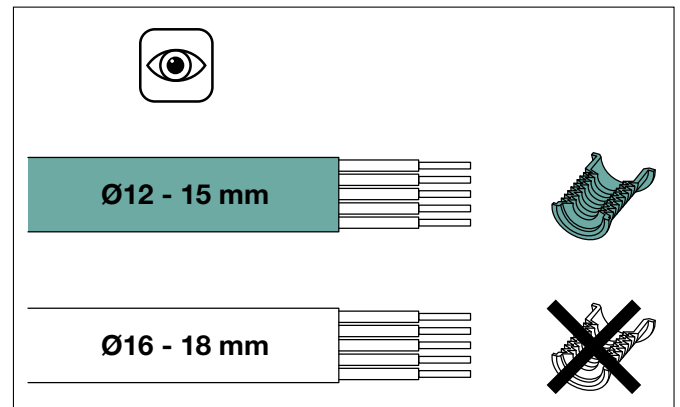
Stripping the cable.

- 2 Depending on the cable diameter, insert or remove the adapter seals in the cable joint.



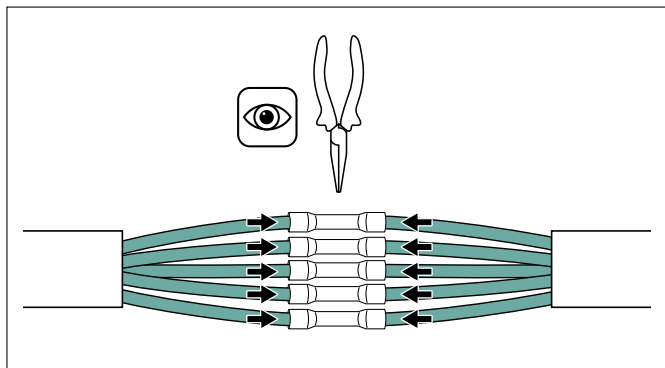
Inserting the adapter seals.

- ▶ Select the adapter seals for the corresponding cable diameter.



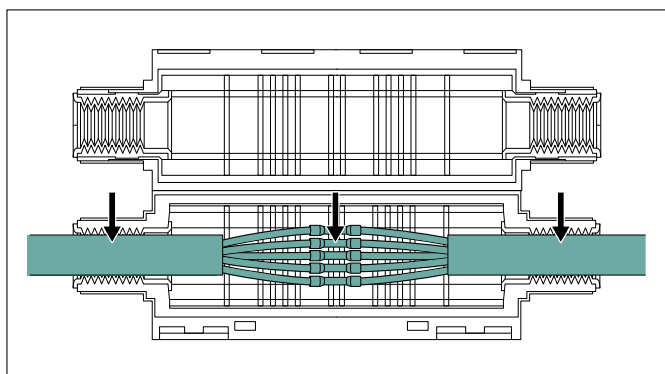
Selecting the adapter seals.

3 Connect the cores with the press connectors.



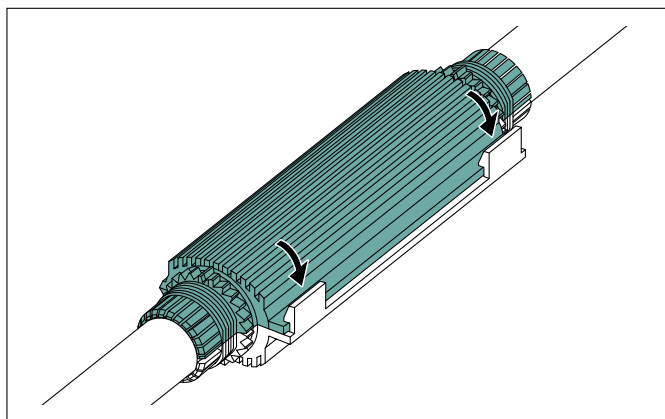
Connecting the cores.

4 Insert the cable connection into the bottom shell.



Inserting the cable connection.

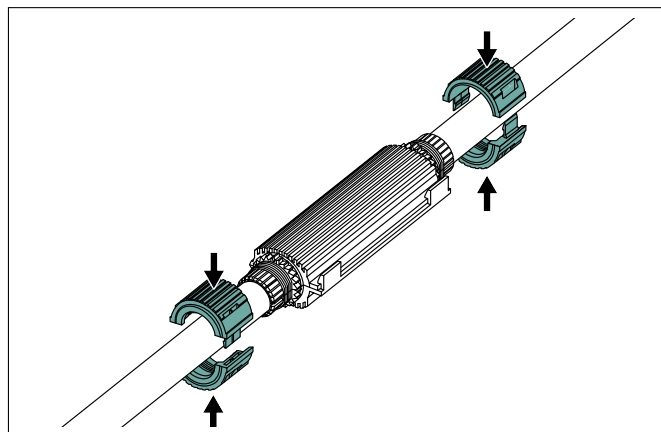
5 Close the cable joint until the fasteners engage.



Closing the cable joint.

6 Position the cable gland nuts on the cable and assemble.

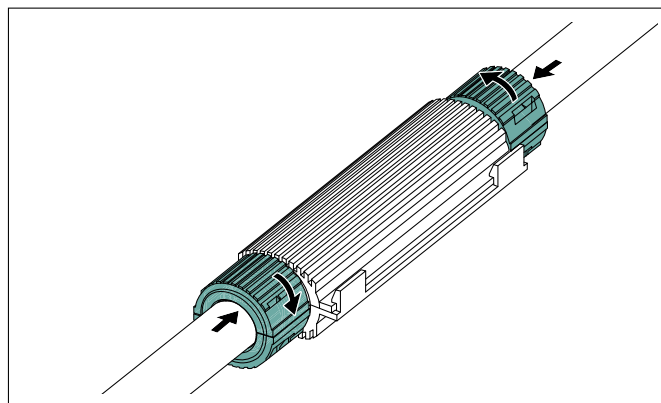
► Ensure that the thread is aligned towards the cable joint.



Assembling the cable gland nuts.

7 Attach the cable gland nuts to the cable joint.

► Twist the cable gland nuts firmly onto the cable joint.



Attaching the cable gland nuts.

The product has been successfully installed.

GB

DE

FR

ES

PT

IT

NL

DK

NO

SE

FI

PL

CZ

HU

SI

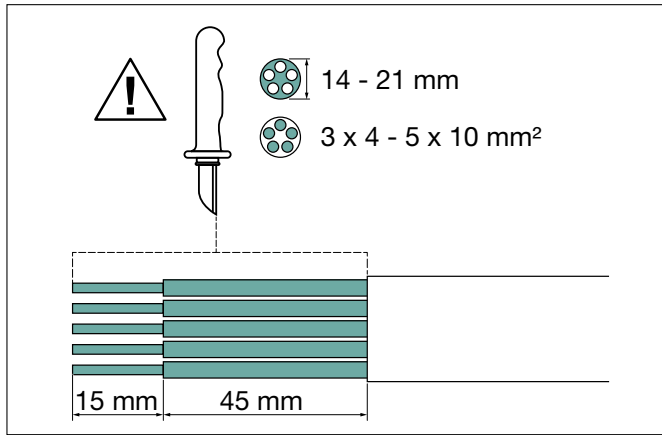
RO

TR

5.2 Installing the Reliseal V 510

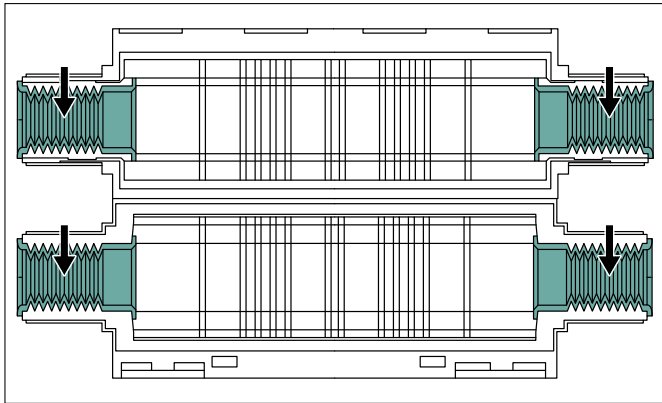
Proceed as follows:

- 1 Strip the cable as shown in the figure and align the cores.



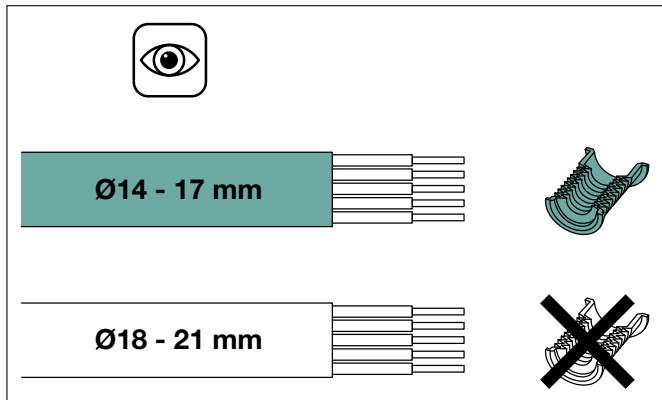
Stripping the cable.

- 2 Depending on the cable diameter, insert or remove the adapter seals in the cable joint.



Inserting the adapter seals.

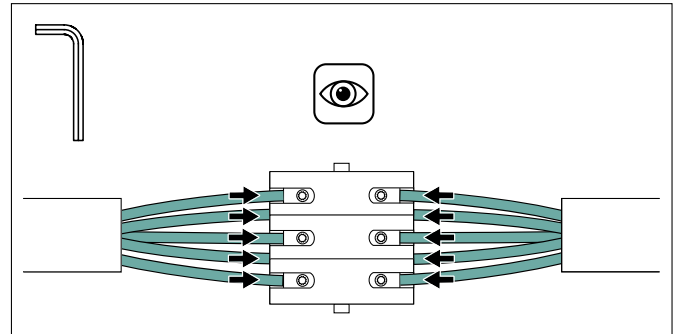
- Select the adapter seals for the corresponding cable diameter.



Selecting the adapter seals.

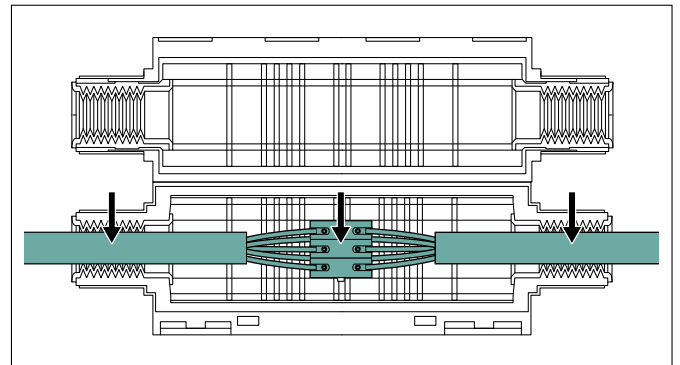
- 3 Connect the cores with the connector block.

- Observe the tightening torque of 3 Nm.



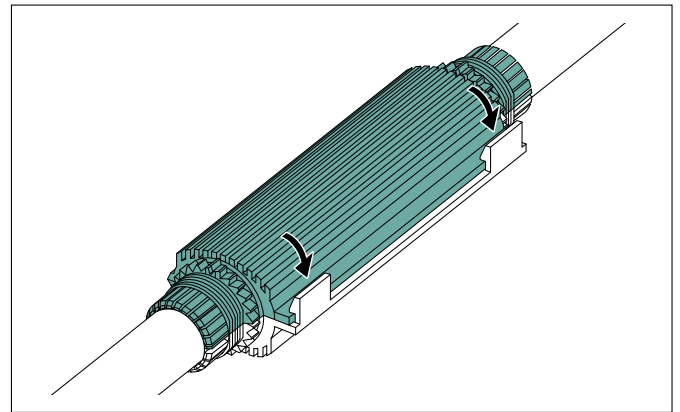
Connecting the cores.

- 4 Insert the cable connection into the bottom shell.



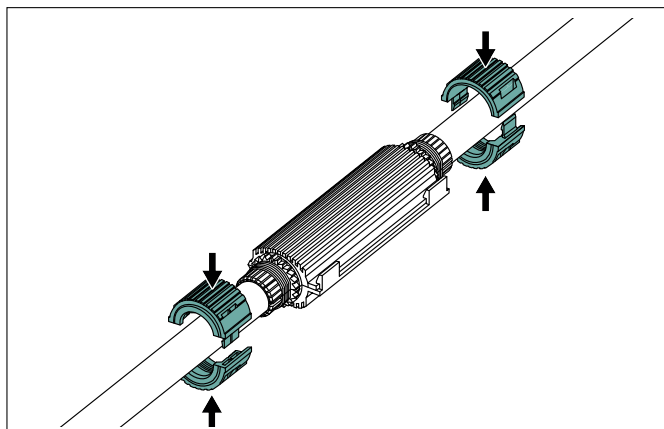
Inserting the cable connection.

- 5 Close the cable joint until the fasteners engage.



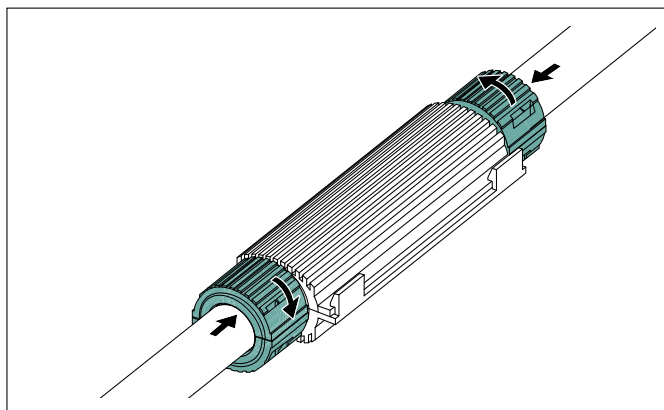
Closing the cable joint.

- 6 Position the cable gland nuts on the cable and assemble.
 ▶ Ensure that the thread is aligned towards the cable joint.



Assembling the cable gland nuts.

- 7 Attach the cable gland nuts to the cable joint.
 ▶ Twist the cable gland nuts firmly onto the cable joint.



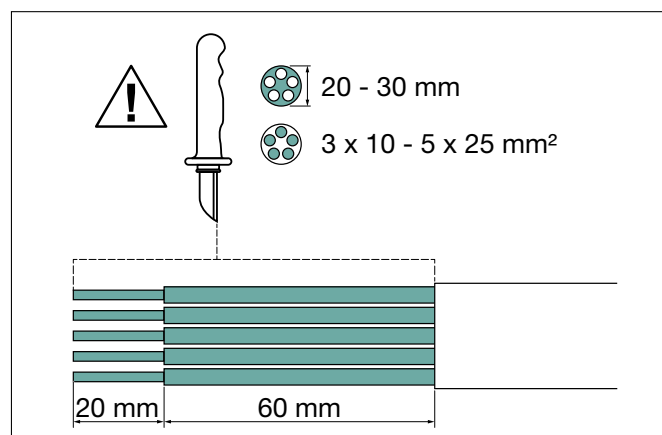
Attaching the cable gland nuts.

The product has been successfully installed.

5.3 Installing the Reliseal V 525

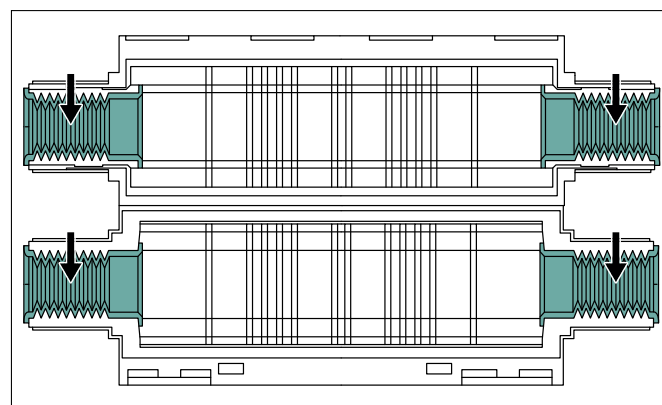
Proceed as follows:

- 1 Strip the cable as shown in the figure and align the cores.



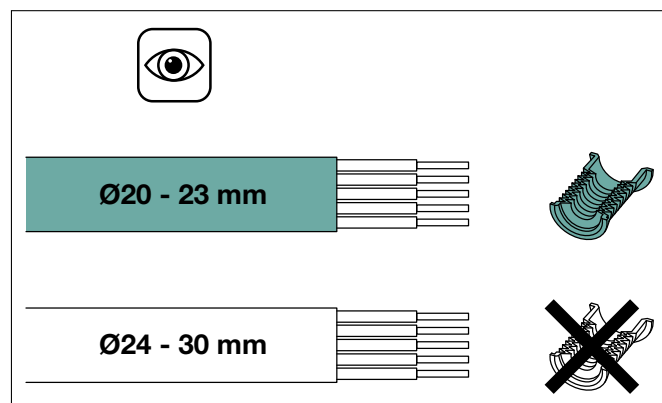
Stripping the cable.

- 2 Depending on the cable diameter, insert or remove the adapter seals in the cable joint.



Inserting the adapter seals.

- ▶ Select the adapter seals for the corresponding cable diameter.



Selecting the adapter seals.

GB

DE

FR

ES

PT

IT

NL

DK

NO

SE

FI

PL

CZ

HU

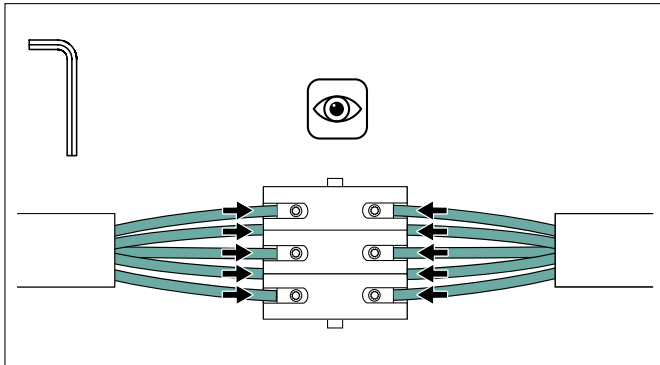
SI

RO

TR

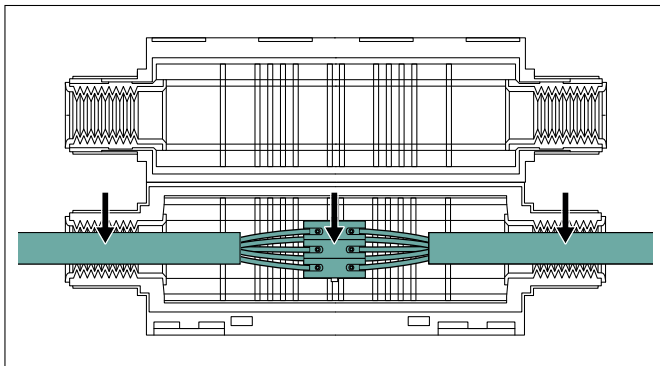
Installation

- 3 Connect the cores with the connector block.
 - Observe the tightening torque of 3 Nm.



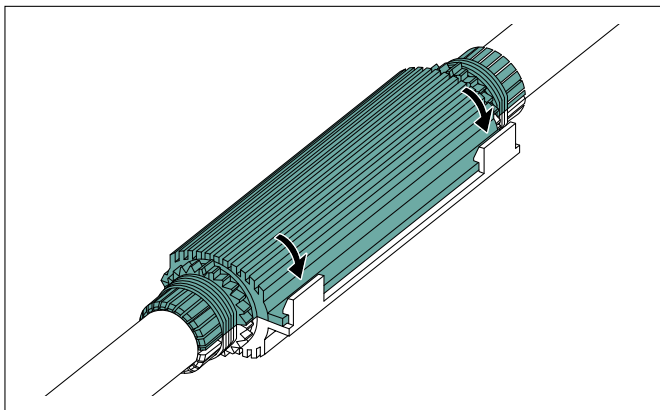
Connecting the cores.

- 4 Insert the cable connection into the bottom shell.



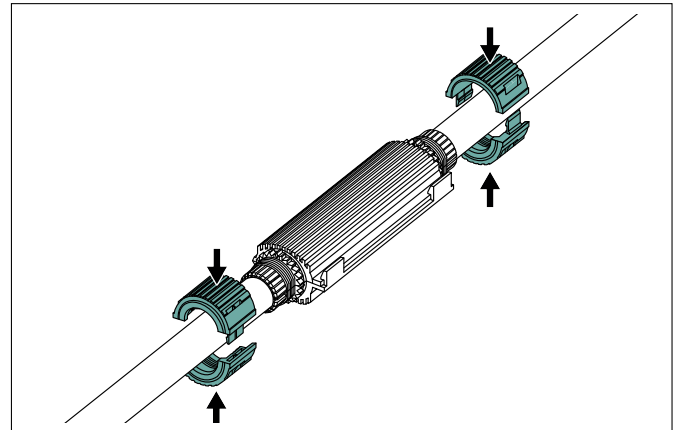
Inserting the cable connection.

- 5 Close the cable joint until the fasteners engage.



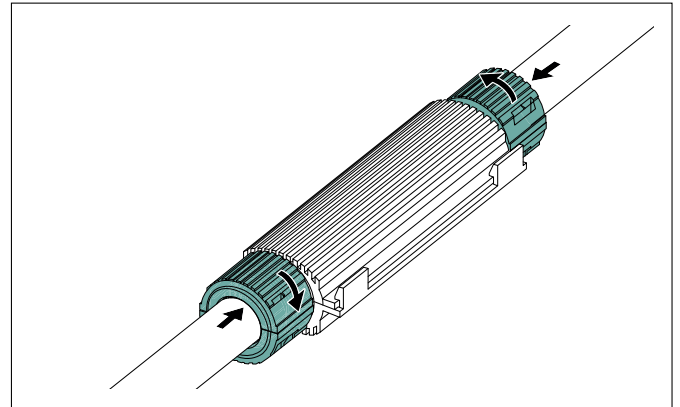
Closing the cable joint.

- 6 Position the cable gland nuts on the cable and assemble.
 - Ensure that the thread is aligned towards the cable joint.



Assembling the cable gland nuts.

- 7 Attach the cable gland nuts to the cable joint.
 - Twist the cable gland nuts firmly onto the cable joint.



Attaching the cable gland nuts.

- The product has been successfully installed.

6 Maintenance


The product requires no maintenance.

7 Taking out of operation

When installed and used for its intended purpose, the product will perform continuously without issues.

8 Disposal

After termination of use, the purchaser or the operator must properly dispose of the product including the accessories.

 This product was manufactured according to the current environmental protection standards. The materials can be separated and recycled.

- ▶ Observe the national regulations for the disposal of recyclable materials.
- ▶ Do not dispose of the product with domestic waste.
- ▶ Take the product to a local collection point or recycling centre.
- ▶ If necessary, contact your local environmental office.

9 Technical data

Characteristics	
Safety class	IP 68
Insulating properties	> 1 kV
Ageing resistance	Yes
UV resistance	Yes
Weather resistance	Yes
Shelf life	Unlimited
Operating temperature	-20 °C to +90 °C
Scope of application	Interior rooms, outdoors, in water, in the ground and in installation ducts

Reliseal V 56		
Length	190 mm	
Width	60 mm	
Height	47 mm	
Cable diameter	12 mm - 18 mm	
Conductor cross-section	min.	3 x 2.5 mm ²
	max.	5 x 6 mm ²

Reliseal V 510		
Length	235 mm	
Width	69 mm	
Height	49 mm	
Cable diameter	14 mm - 21 mm	
Conductor cross-section	min.	3 x 4 mm ²
	max.	5 x 10 mm ²

Reliseal V 525		
Length	310 mm	
Width	88 mm	
Height	60 mm	
Cable diameter	20 mm - 30 mm	
Conductor cross-section	min.	3 x 10 mm ²
	max.	5 x 25 mm ²

All dimensions in mm. We reserve the right to make technical changes without notice. Minimum order quantities (MOQ) can deviate from the package contents.

GB

DE

FR

ES

PT

IT

NL

DK

NO

SE

FI

PL

CZ

HU

SI

RO

TR

HellermannTyton operates globally in 37 countries



Europe

HellermannTyton GmbH – Austria

Rennbahnweg 65
1220 Vienna
Tel.: +43 12 59 99 55-0
Fax: +43 12 59 99 11
Email: office@HellermannTyton.at
www.HellermannTyton.at

HellermannTyton – Czech Republic

Email: officeCZ@HellermannTyton.at
www.HellermannTyton.cz

HellermannTyton – Denmark

Industrivej 44A, 1.
4000 Roskilde
Tel.: +45 702 371 20
Fax: +45 702 371 21
Email: htdk@HellermannTyton.dk
www.HellermannTyton.dk

HellermannTyton – Finland

Sähkötie 8
01510 Vantaa
Tel.: +358 9 8700 450
Fax: +358 9 8700 4520
Email: myynti@HellermannTyton.fi
www.HellermannTyton.fi

HellermannTyton S.A.S. – France

2 rue des Hêtres - CS 80543
78197 Trappes Cedex
Tel.: +33 1 30 13 80 00
Fax: +33 1 30 13 80 60
Email: info@HellermannTyton.fr
www.HellermannTyton.fr

HellermannTyton GmbH – Germany

Großer Moorweg 45
25436 Tornesch
Tel.: +49 4122 701-0
Fax: +49 4122 701-400
Email: info@HellermannTyton.de
www.HellermannTyton.de

HellermannTyton KFT – Hungary

Kisfaludy u. 13
1044 Budapest
Tel.: +36 1 369 4151
Fax: +36 1 369 4151
Email: officeHU@HellermannTyton.at
www.HellermannTyton.hu

HellermannTyton Ltd – Ireland

Unit 77 Cherry Orchard
Industrial Estate
Ballyfermot, Dublin 10
Tel.: +353 1 626 8267
Fax: +353 1 626 8022
Email: sales@HellermannTyton.ie
www.HellermannTyton.co.uk

HellermannTyton S.r.l. – Italy

Via Visco, 3/5
35010 Limena (PD)
Tel.: +39 049 767 870
Fax: +39 049 767 985
Email: info@HellermannTyton.it
www.HellermannTyton.it

HellermannTyton B.V. – Belgium/Netherlands

Vanadiumweg 11-C
3812 PX Amersfoort
Tel.: +31 33 460 06 90
Fax: +31 33 460 06 99
Email (NL): info@HellermannTyton.nl
Email (BE): info@HellermannTyton.be
www.HellermannTyton.nl
www.HellermannTyton.be

HellermannTyton AS – Norway

PO Box 240 Alnabru
0614 Oslo
Tel.: +47 23 17 47 00
Fax: +47 22 97 09 70
Email: firmapost@HellermannTyton.no
www.HellermannTyton.no

HellermannTyton Sp. z o.o. – Poland

Kotunia 111
62-400 Słupca
Tel.: +48 63 2401 849
Fax: +48 63 2401 848
Email: info@HellermannTyton.pl
www.HellermannTyton.pl

HellermannTyton – Romania

Email: officeRO@HellermannTyton.at
www.HellermannTyton.at

OOO HellermannTyton – Russia

40/4, Pulkovskoe road
BC Technopolis Pulkovo, office A 8081
196158, St. Petersburg
Tel.: +7 812 386 00 09
Fax: +7 812 386 00 08
Email: info@HellermannTyton.ru
www.HellermannTyton.ru

HellermannTyton – Slovenia

Branch Office Ljubljana
Podružnica Ljubljana, Leskoškova 6
1000 Ljubljana
Tel.: +386 1 433 70 56
Fax: +386 1 433 63 21
Email: officeSI@HellermannTyton.at
www.HellermannTyton.si

HellermannTyton España s.l. – Spain/Portugal

Ayda. de la Industria 37 2º 2
28108 Alcobendas, Madrid
Tel.: +34 91 661 2835
Fax: +34 91 661 2368
Email:
HellermannTyton@HellermannTyton.es
www.HellermannTyton.es

HellermannTyton AB – Sweden

Isafjordsgatan 5
16440 Kista
Tel.: +46 8 580 890 00
Fax: +46 8 580 348 02
Email: support@HellermannTyton.se
www.HellermannTyton.se

HellermannTyton

Engineering GmbH – Turkey

Saray Mah Dr. Adnan Büyükdenez Cad. No:4
Akkom Office Park 2, Blok Kat: 10
34768 Ümraniye-İstanbul
Tel.: +90 216 687 03 40
Fax: +90 216 250 32 32
Email: info@HellermannTyton.com.tr
www.HellermannTyton.com.tr

HellermannTyton Ltd – UK

William Prance Road
Plymouth International Medical
and Technology Park
Plymouth, Devon PL6 5WR
Tel.: +44 1752 701 261
Fax: +44 1752 790 058
Email: info@HellermannTyton.co.uk
www.HellermannTyton.co.uk

HellermannTyton Ltd – UK

Sharston Green Business Park
1 Robeson Way
Altrincham Road, Wythenshawe
Manchester M22 4TY
Tel.: +44 161 947 2200
Fax: +44 161 947 2220
Email: sales@HellermannTyton.co.uk
www.HellermannTyton.co.uk

HellermannTyton Ltd – UK

Main Contact for Customer Service
Wharf Approach
Aldridge, Walsall, West Midlands
WS9 8BX
Tel.: +44 1922 458 151
Fax: +44 1922 743 053
Email: info@HellermannTyton.co.uk
www.HellermannTyton.co.uk

HellermannTyton Data Ltd – UK

Cornwell Business Park
43-45 Salthouse Road, Brackmills
Northampton NN4 7EX
Tel.: +44 1604 707 420
Fax: +44 1604 705 454
Email: sales@htdata.co.uk
www.htdata.co.uk

Middle East

HellermannTyton – UAE

Email: info@HellermannTyton.ae
www.HellermannTyton.ae

North America

HellermannTyton – Canada

Tel.: +1 905 726 1221
Fax: +1 905 726 8538
Email: sales@HellermannTyton.ca
www.HellermannTyton.ca

HellermannTyton – Mexico

Tel.: +52 333 133 9880
Fax: +52 333 133 9861
Email: info@HellermannTyton.com.mx
www.HellermannTyton.com

HellermannTyton – USA

Tel.: +1 414 355 1130
Fax: +1 414 355 7341
Email: corp@htamericas.com
www.HellermannTyton.com

South America

HellermannTyton – Argentina

Tel.: +54 11 4754 5400
Fax: +54 11 4752 0374
Email: ventas@HellermannTyton.com.ar
www.HellermannTyton.com.ar

HellermannTyton – Brazil

Tel.: +55 11 4815 9000
Fax: +55 11 4815 9030
Email: vendas@HellermannTyton.com.br
www.HellermannTyton.com.br

Asia-Pacific

HellermannTyton – Australia

Tel.: +61 2 9525 2133
Fax: +61 2 9526 2495
Email: cservice@HellermannTyton.com.au
www.HellermannTyton.com.au

HellermannTyton – China

Tel.: +86 510 8528 2536
Fax: +86 510 8528 2731
Email: cservice@HellermannTyton.com.cn
www.HellermannTyton.com.cn

HellermannTyton – Hong Kong

Tel.: +852 2832 9090
Fax: +852 2832 9381
Email: cservice@HellermannTyton.com.hk
www.HellermannTyton.com.sg

HellermannTyton – India

Tel.: +91 120 413 3384
Bangalore: +91 776 001 0104
Chennai: +91 996 264 3939
Faridabad: +91 971 851 7797
Ghaziabad: +91 93 1354 1671
Pune: +91 727 601 2200
Email: cservice@HellermannTyton.co.in
www.HellermannTyton.co.in

HellermannTyton – Japan

Tel.: +81 3 5790 3111
Fax: +81 3 5790 3112
Email: mkt@hellermannTyton.co.jp
www.HellermannTyton.co.jp

HellermannTyton – Republic of Korea

Tel.: +82 31 388 8012
Fax: +82 31 388 8013
Email: cservice@HellermannTyton.co.kr
www.HellermannTyton.co.kr

HellermannTyton – Philippines

Tel.: +63 2 752 6551
Fax: +63 2 752 6553
Email: cservice@HellermannTyton.com.ph
www.HellermannTyton.com.ph

HellermannTyton – Singapore

Tel.: +65 6 852 8585
Fax: +65 6 756 6798
Email: cservice@HellermannTyton.sg
www.HellermannTyton.com.sg

HellermannTyton – Thailand

Tel.: +662 237 6702 / 266 0624
Fax: +662 266 8664
Email: cservice@HellermannTyton.co.th
www.HellermannTyton.com.sg

Africa

HellermannTyton – South Africa

Tel.: +27 11 879 6680
Fax: +27 11 879 6601
Email: sales.jhb@HellermannTyton.co.za
www.HellermannTyton.co.za

